



Over 80 countries

Since 1971

PC-82/22

Dear Customer,

We are pleased to present the new mincing machine **PC-82/22**, available for sale from November 2010. This mincer has the difficult task of replacing the well trusted PM82 range, which has given years of trouble free operation and a reputation for reliability, something rarely found in this segment of the market.

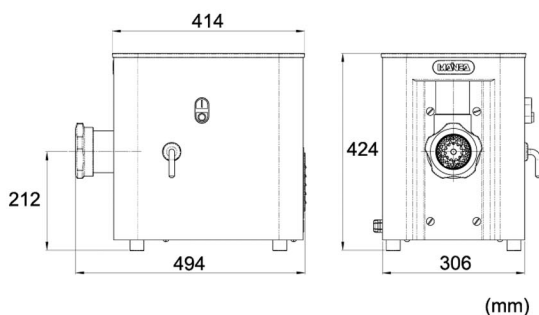
Nevertheless, the passage of time is evident in the design. Our engineering department was anxious to apply new design concepts acquired from years of research and tests.

The result, the development of the **PC-82/22** a mincing machine that surpasses its requirements. The design of the gearbox and motor retain intact the same level of reliability and robustness, with a gearbox which many 98/32 machines would aspire to have. The design shows great styling and functionality in a minimalist style, a tendency to be reflected in the next generation of mincing machines. Further on we will introduce a refrigerated version.

Finally, the biggest change is focused in the design of the mincing head and worm which is capable of substantially increasing productivity, especially second mince.

All these features for the same price of the old model.

With this new model, MAINCA offers a modern and remodeled machine allowing you to compete with total confidence with other machines on the market.



TECHNICAL FEATURES

Output: ± 300 Kg / h

Available cutting systems:
Enterprise 22 (simple cut)
Unger 82 (simple, double and triple cut)

Single phase and three phase motors:
1.5HP / 1.10 kW (50 and 60Hz).

Gear driven transmission in an oil bath.

Construction:
Completely made of stainless steel.
Economic version available with aluminum mincing head (replacing the model PA-82/22).

